

产 品 规 格 书

Product Specification Report

电话 (Tel): 0755-27167848

传真 (Fax) :0755-27167816

地址 (Add) : 广东省深圳市光明新区公明合水口第二工业区 19 栋 3 楼

公司网址 (Web) : <http://www.ykgdled.com/>

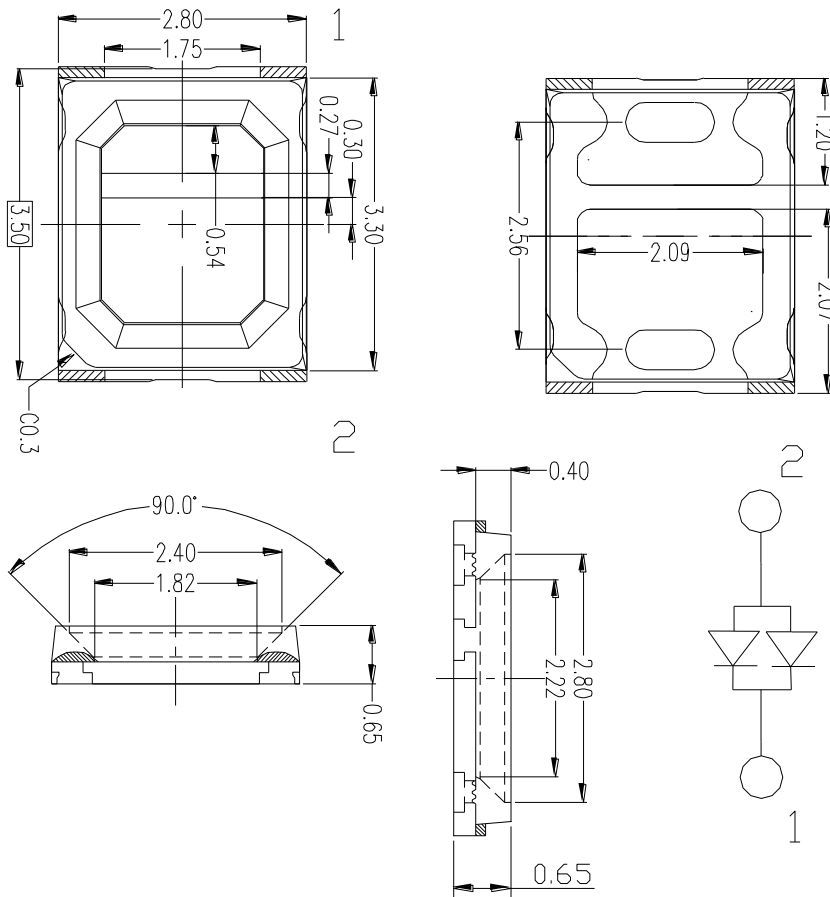
客户名称 (Customer Name):					
客户料号 (Customer NO.):					
产品名称 (Product Name):			2835 系列 LED 贴片灯		
产品型号 (Product Type):			YKY2835		
制定日期 (Date Prepared):			2018-09-15		
源科光电确认			客户确认		
YNKE Approval			Customer's Approval		
制定	核准	业务部	确认人	核准	采购部
Development	Approved	Marketing Dept	Confirmed by	Approved	Purchasing Dept
结果判定 Judge outcome			结果判定 Judge outcome		

SURFACE MOUNT LED LAMPS

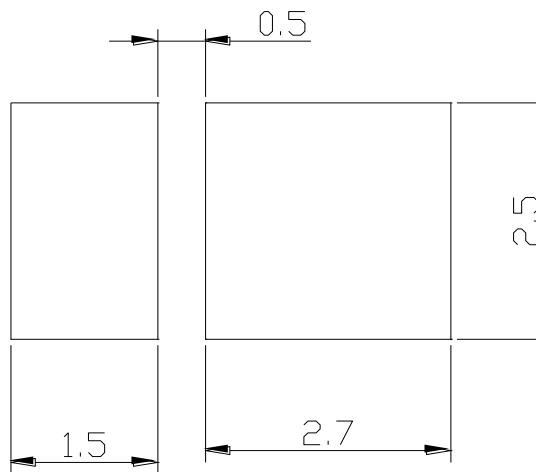
2835 系列 LED 贴片灯 (2835 Series SMD Chip LED Lamps)

产品型号 (Product Type): YKY2835

Package Dimensions (封装尺寸)



Recommended Soldering Patter (n 推荐焊盘式样)



备注 (NOTES):

- 1、 所有尺寸单位为毫米
All dimensions are in millimeters;
- 2、 如无其他备注, 尺寸公差为 $\pm 0.1\text{mm}$
Tolerances are $\pm 0.1\text{mm}$ unless otherwise note.

SURFACE MOUNT LED LAMPS

产品型号 (Product Type): YKY2835

极限参数 Absolute maximum ratings (Ta=25° C)

参数 Parameter	符号 Symbol	数值 Value	单位 Unit
正向电流 Forward current	If	60	mA
反向耐压 Reverse voltage	Vr	5	V
耗散功率 Power dissipation	Pd	0.19	W
工作环境温度 Operating temperature range	Top	-25~+80	° C
贮藏温度 Storage temperature range	Tstg	-30~+85	° C
峰值脉冲电流 Peak pulsing current (1/8 duty f=1KHz)	Ifp	80	mA

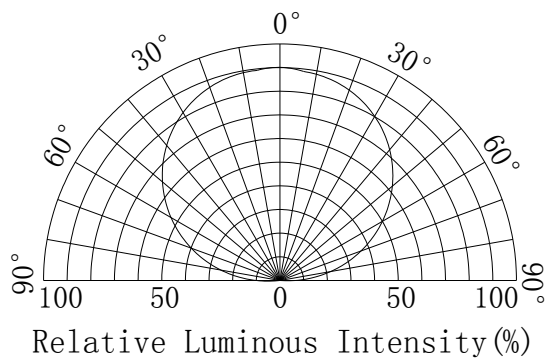
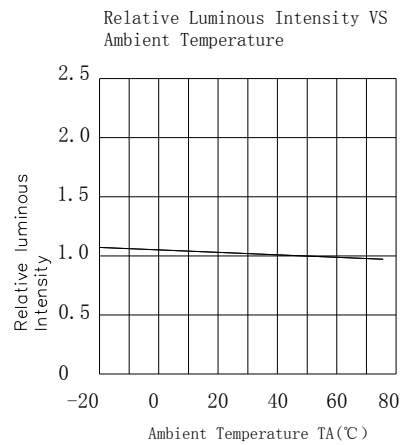
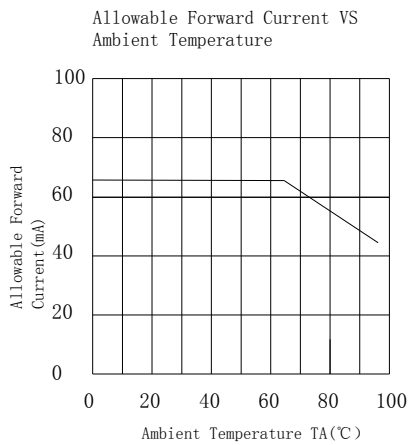
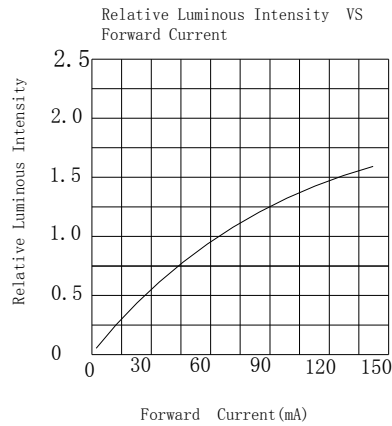
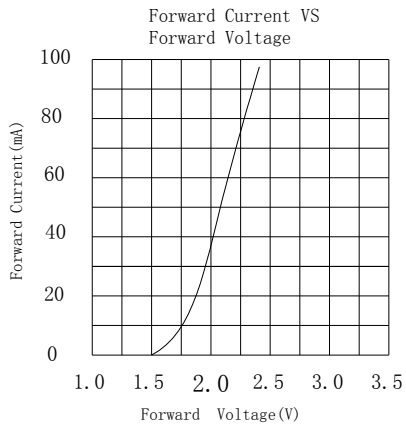
光电特性 Electro-Optical characteristics (TA=25° C)

参数 Parameter	测试条件 Test Condition	符号 Symbol	数值 Value			单位 Unit
			Min	Typ	Max	
色温 Color Temperature	If=60mA	CCT	--	--	--	K
正向电压 Forward voltage	If=60mA	Vf	2.0	--	2.4	V
光通量 luminous flux	If=60mA	φ	4	--	6	LM
视角 Viewing angle at 50% IV	If=60mA	2θ 1/2	--	120	--	Deg
主波长 Dominant wavelength	If=60mA	λ d	590	--	595	nm
反向电流 Reverse current	Vr=5V	Ir	--	5	--	μ A

SURFACE MOUNT LED LAMPS

产品型号 (Product Type): YKY2835

典型的光电特性曲线图表 Typical photoelectricity characteristic curve chart

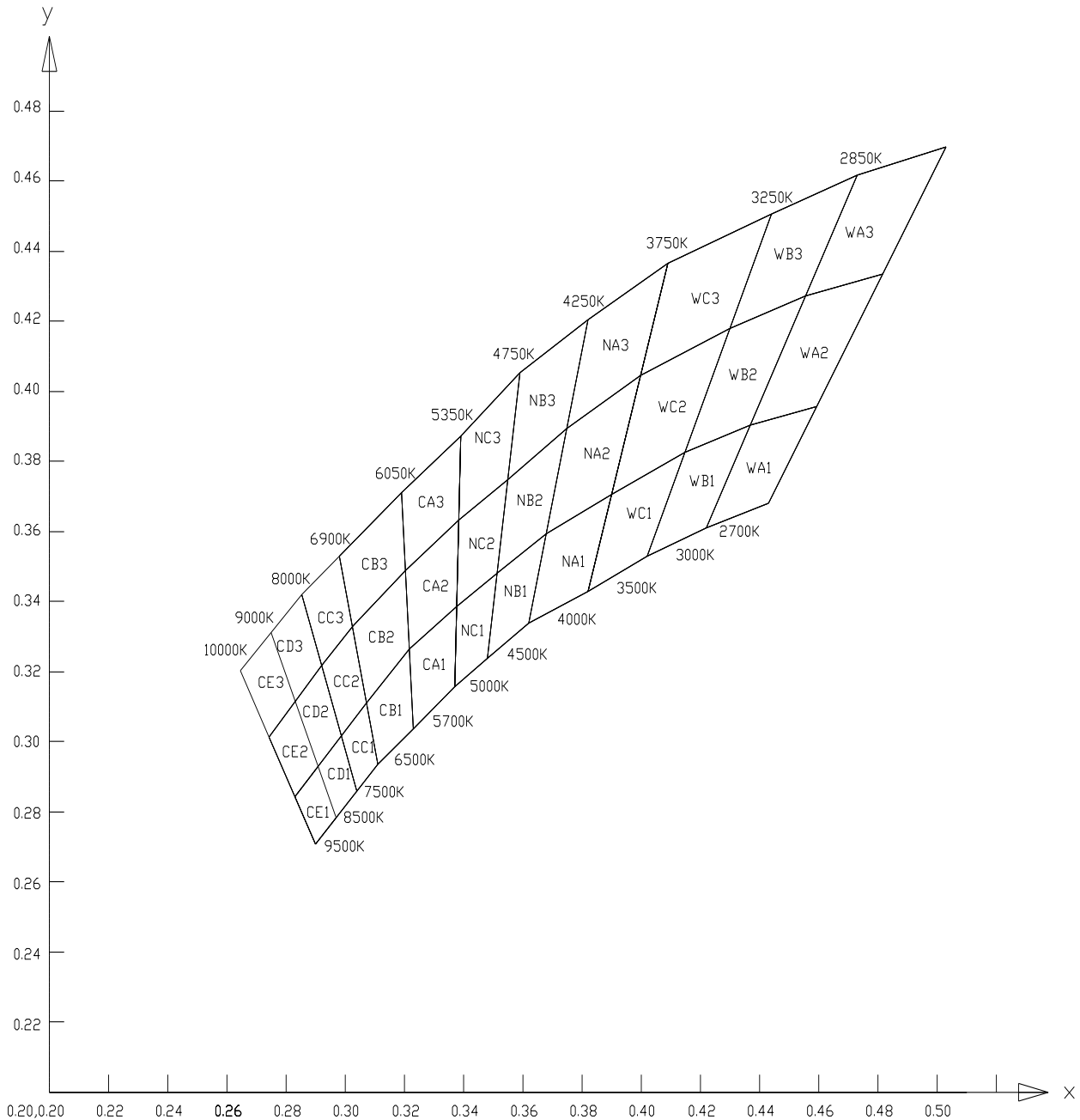


SURFACE MOUNT LED LAMPS

产品型号 (Product Type): YKY2835

典型的光电特性曲线图表 **Typical photoelectricity characteristic curve chart**

CIE 1931 xy CHROMATICITY DIAGRAM



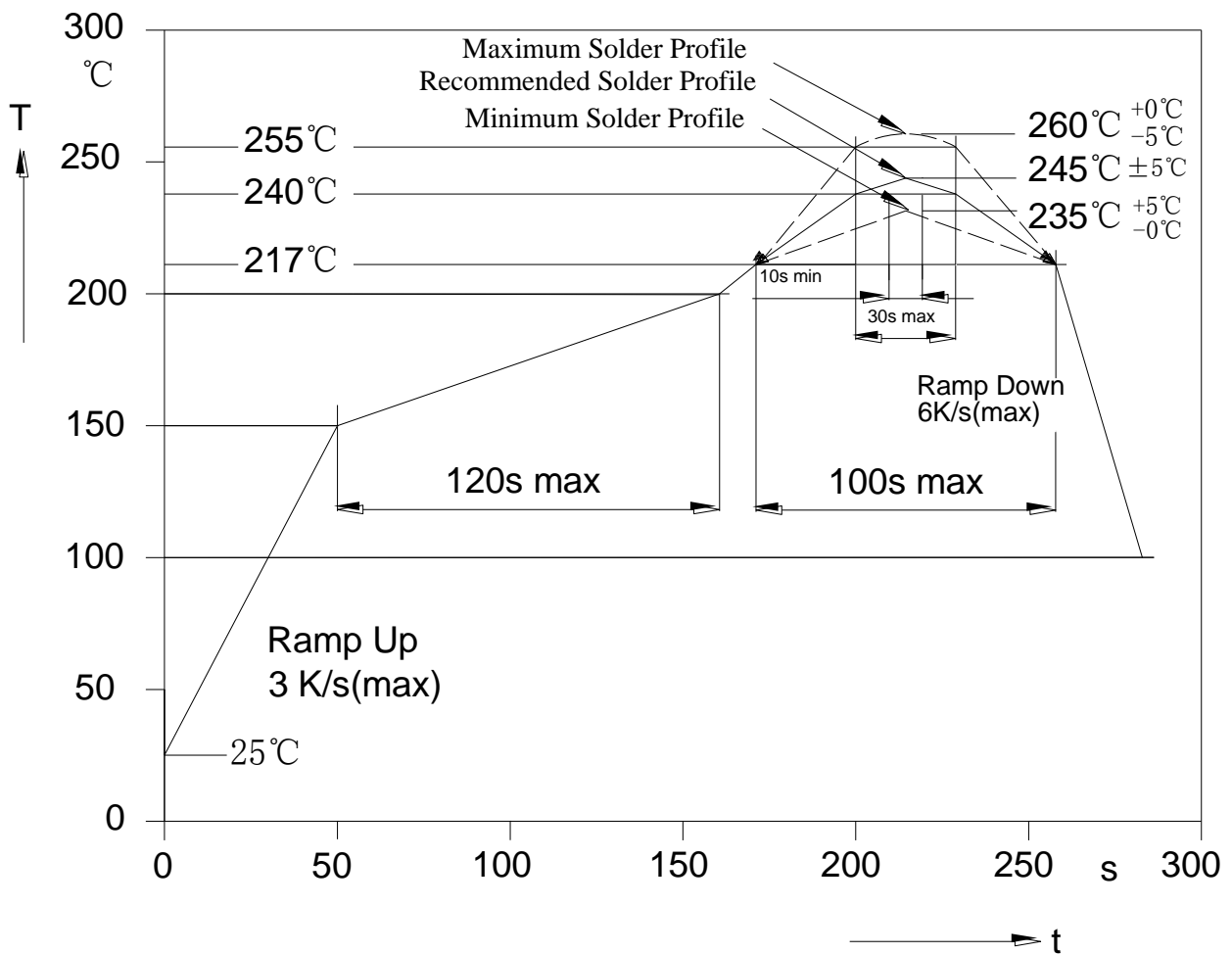
SURFACE MOUNT LED LAMPS

产品型号 (Product Type): YKY2835

焊接温度曲线图表 (回流焊)

Soldering temperature curve chart (Reflow solder profile)

SMD-Reflow Soldering Profile for lead free soldering(Acc.to J-STD-020B)



Remark: If not lead free soldering, the recommended solder profile is 230°C and max solder profile is 245°C.

SURFACE MOUNT LED LAMPS

可靠性实验项目 Test items and results of reliability

类别 Type	测试项目 Test item	源科参照标准 YK. Standard	测试条件 Test Conditions	备注 Note	不良数量 Number of Damaged
Environmental Sequence	高低温循环 Temperature Cycle	JIS C 7021 (1977)A-4	-25° C 30min ↑ ↓ 5min 80° C 30min	100 cycle	0
	热冲击 Thermal Shock	MIL-SLD-107D	-25° C 15min ↑ ↓ 5min 80° C 15min	100 cycle	0
	高湿度热循环 High Humidity Heat Cycle	JIS C 7021 (1977)A-5	30° C <=> 65° C 90%RH 24hrs/1cycle	10 cycle	0
	高温存储 High Temperature Storage	JIS C 7021 (1977)B-10	T _a =80° C	1000hrs	0
	高温高湿存储 Humidity Heat Storage	JIS C 7021 (1977)B-11	T _a =60° C RH=90%	1000hrs	0
	低温存储 Low Temperature Storage	JIS C 7021 (1977)B-12	T _a =-30° C	1000hrs	0
Operation Sequence	常温寿命测试 Life Test	JIS C 7035 (1985)	T _a =25° C I _F =60mA	1000hrs	0
	高温高湿寿命测试 High Humidity Heat Life Test	□	60° C RH=90% I _F =60mA	500hrs	0
	低温寿命测试 Low Temperature Life Test	□	T _a =-25° C I _F =60mA	1000hrs	0

□请参考可靠性测试标准规范。

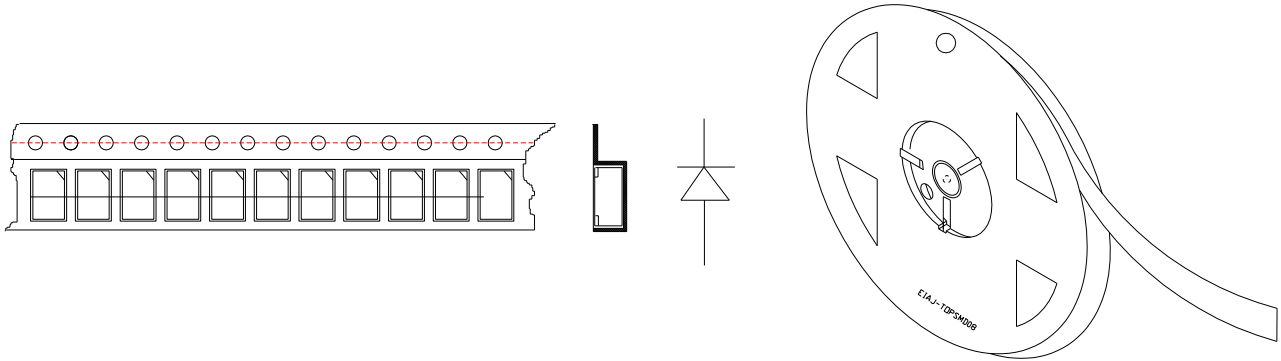
Refer to reliability test standard specification for in this line.

SURFACE MOUNT LED LAMPS

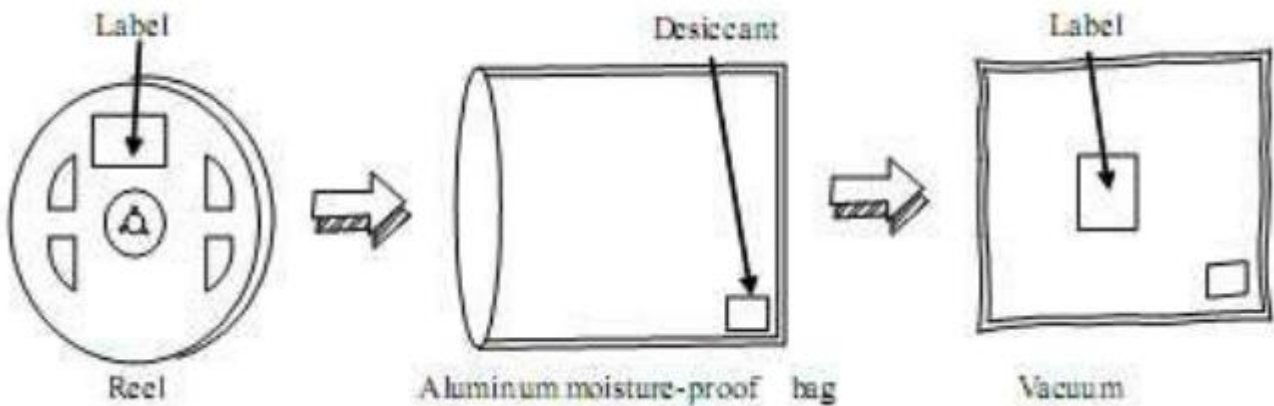
产品型号 (Product Type): YKY2835

编带和包装 Tape and Packaging

1、Tape leader and reel



2、Packing



3、Storage:

1)、如暂不使用, 请不要打开防潮袋。

Don't open the moisture proof bag before the products are ready to use.

2)、打开包装前, LED 灯需放置温度在 30°C 以下、湿度低于 60RH 的环境内。

Before opening the packing, the LED should be kept at 30°C or less and 60RH or less

3)、打开防潮袋后, 应立即使用 LED, 不能将 LED 暴露在空气中超过一个星期。

After opening the moisture proof bag, should use the LED immediately, do not expose the led in air for a week.

4)、如果 led 超过存储时间或受潮, 应在以下条件中除湿 24 小时: 60+/-5°C

If the LEDs exceed the storage time or the moisture absorbability material has faded away, Backing treatment should be performed using the following conditions: 60+/-5°C for 24 hours.