



# 产 品 规 格 书

## Product Specification Report

电话 (Tel): 0755-27167848

传真 (Fax): 0755-27167816

地址 (Add): 广东省深圳市光明新区公明合水口第二工业区 19 栋 3 楼

公司网址 (Web): <http://www.ykgdled.com/>

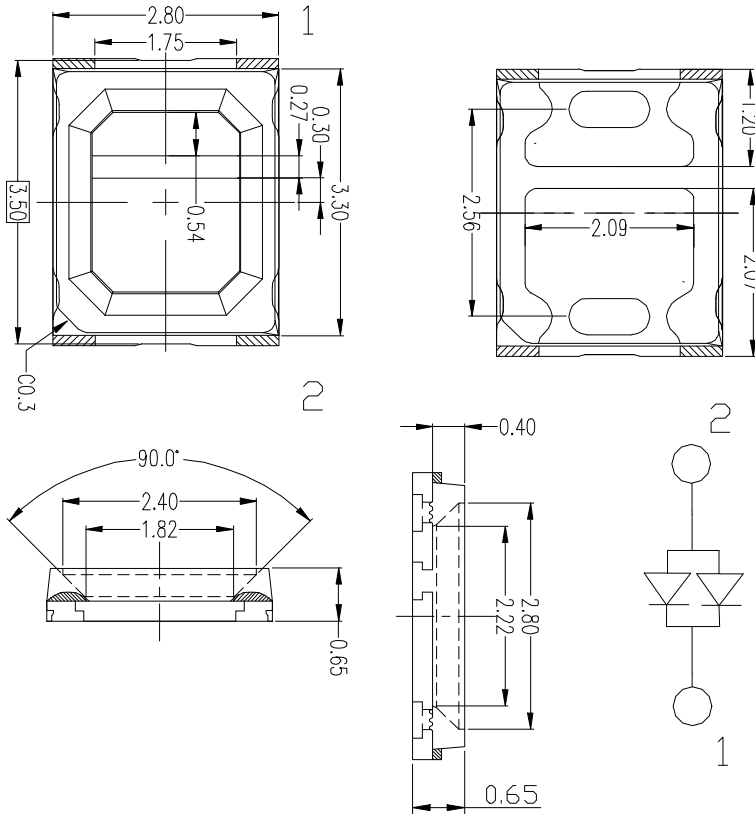
客户名称 (Customer Name):					
客户料号 (Customer NO.):					
产品名称 (Product Name):			2835 系列 LED 贴片灯		
产品型号 (Product Type):			YKDR2835		
制定日期 (Date Prepared):			2022-01-14		
<b>源科光电确认</b>			<b>客户确认</b>		
YNKE Approval			Customer's Approval		
制定	核准	业务部	确认人	核准	采购部
Development	Approved	Marketing Dept	Confirmed by	Approved	Purchasing Dept
结果判定 Judge outcome			结果判定 Judge outcome		

# SURFACE MOUNT LED LAMPS

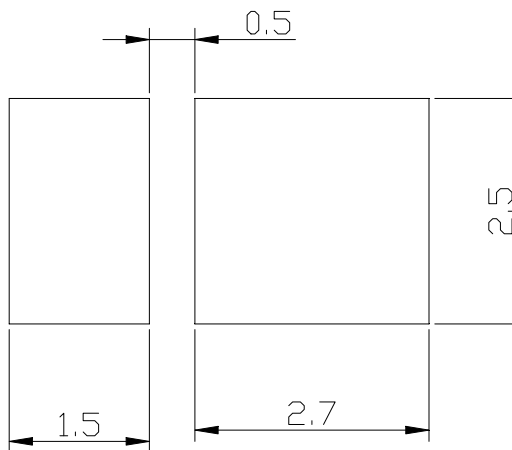
## 2835 系列 LED 贴片灯 (2835 Series SMD Chip LED Lamps)

产品型号 (Product Type): YKDR2835

Package Dimensions (封装尺寸)



Recommended Soldering Patter (n 推荐焊盘式样)



备注 (NOTES):

- 所有尺寸单位为毫米  
All dimensions are in millimeters;
- 如无其他备注, 尺寸公差为 $\pm 0.1\text{mm}$   
Tolerances are  $\pm 0.1\text{mm}$  unless otherwise note.

## SURFACE MOUNT LED LAMPS

产品型号 (Product Type): YKDR2835

极限参数 Absolute maximum ratings (Ta=25° C)

参数 Parameter	符号 Symbol	数值 Value	单位 Unit
正向电流 Forward current	If	60	mA
反向耐压 Reverse voltage	Vr	5	V
耗散功率 Power dissipation	Pd	0.13	W
工作环境温度 Operating temperature range	Top	-25~+80	° C
贮藏温度 Storage temperature range	Tstg	-30~+85	° C
峰值脉冲电流 Peak pulsing current (1/8 duty f=1KHz)	Ifp	80	mA

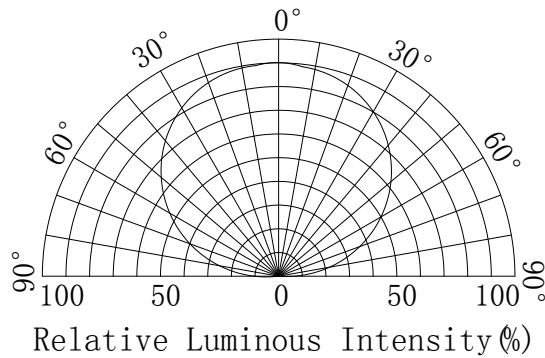
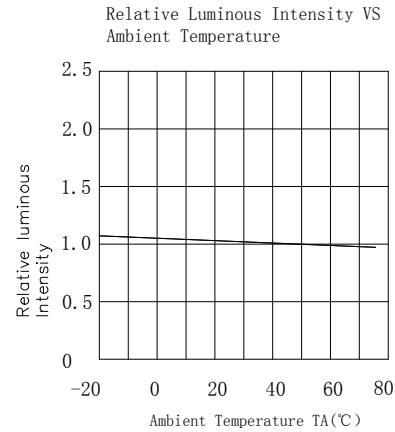
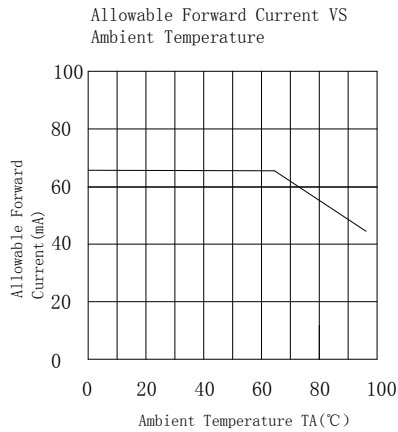
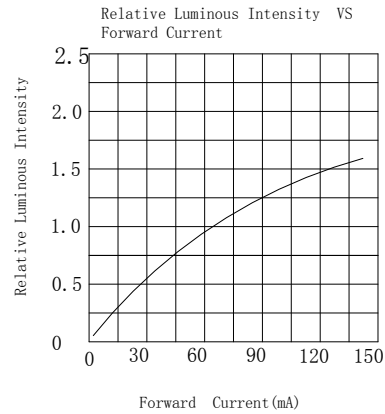
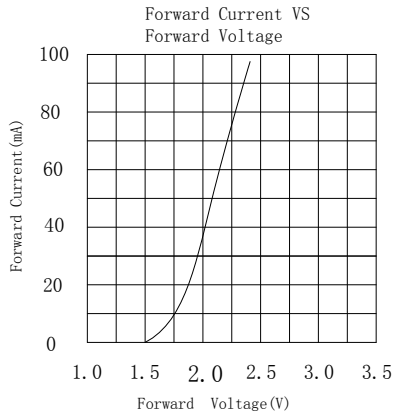
光电特性 Electro-Optical characteristics (TA=25° C)

参数 Parameter	测试条件 Test Condition	符号 Symbol	数值 Value			单位 Unit
			Min	Typ	Max	
色温 Color Temperature	--	CCT	--	--	-	K
正向电压 Forward voltage	If=60mA	Vf	2.0	--	2.4	V
光通量 luminous flux	If=60mA	φ	2	--	4	LM
视角 Viewing angle at 50% IV	If=60mA	2 θ 1/2	--	120	--	Deg
主波长 Dominant wavelength	If=60mA	λ d	--	660	--	nm
反向电流 Reverse current	Vr=5V	Ir	--	5	--	μ A

# SURFACE MOUNT LED LAMPS

产品型号 (Product Type): YKDR2835

典型的光电特性曲线图表 Typical photoelectricity characteristic curve chart

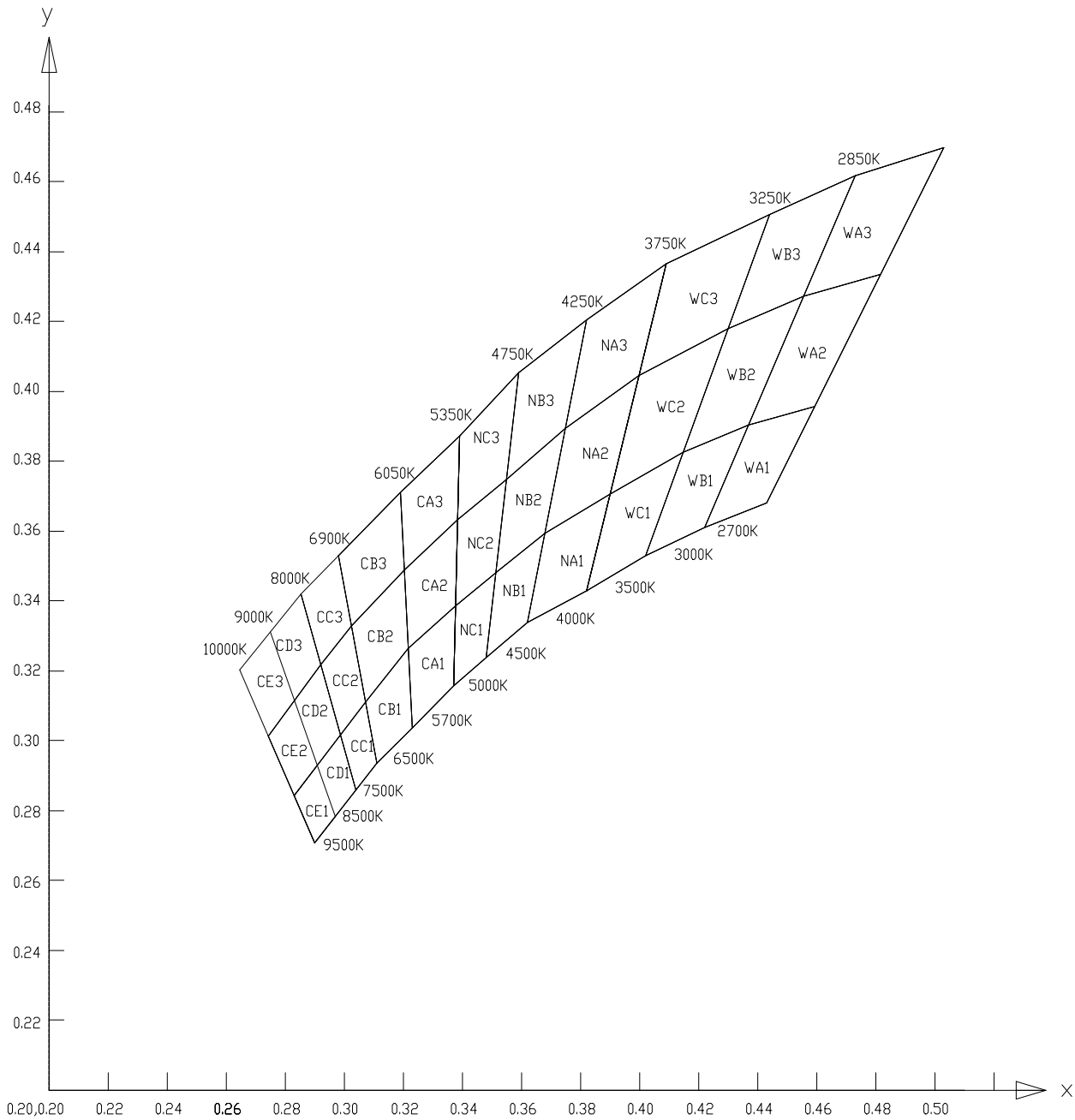


# SURFACE MOUNT LED LAMPS

产品型号 (Product Type): YKDR2835

典型的光电特性曲线图表 **Typical photoelectricity characteristic curve chart**

CIE 1931 xy CHROMATICITY DIAGRAM



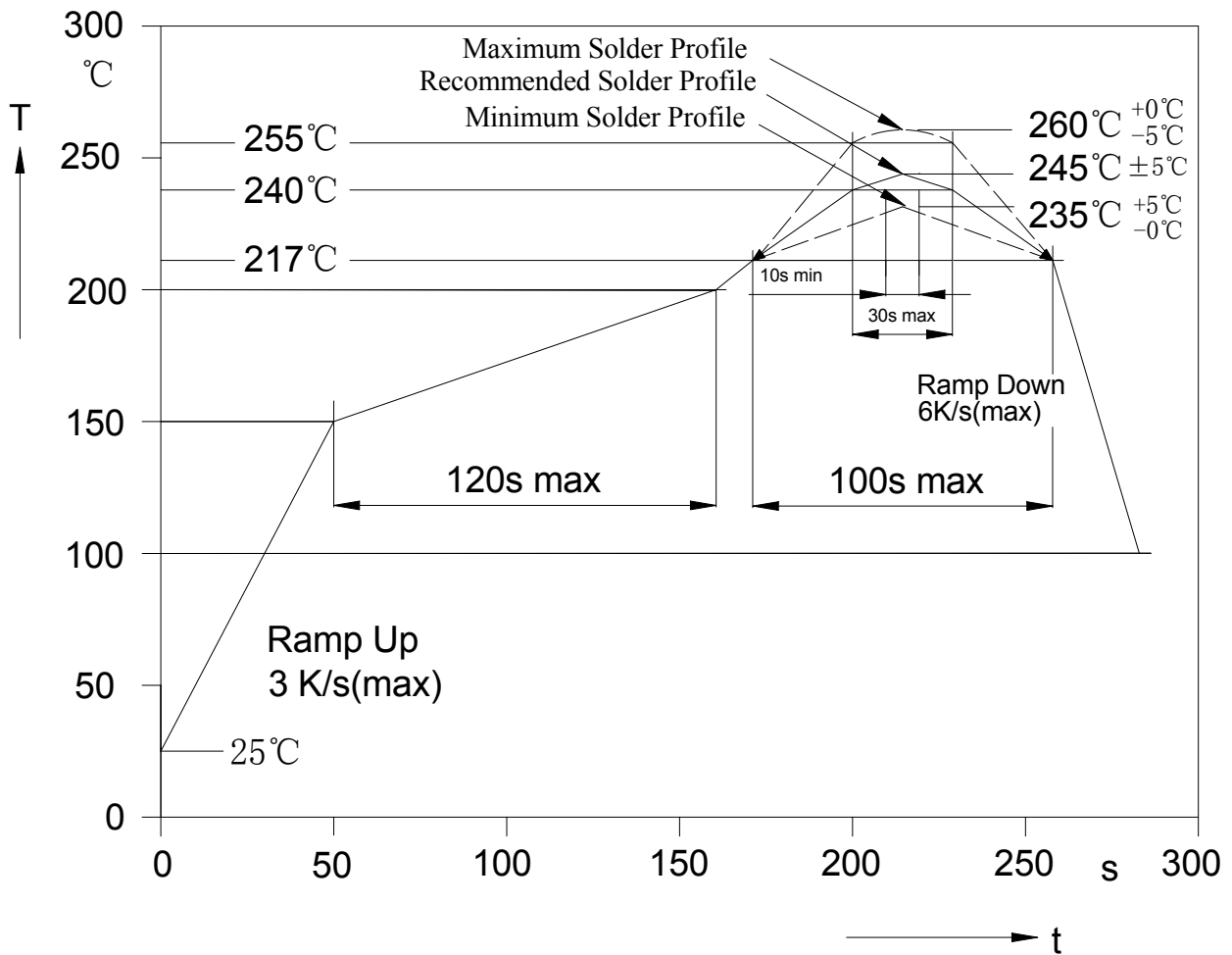
# SURFACE MOUNT LED LAMPS

产品型号 (Product Type): YKDR2835

焊接温度曲线图表 (回流焊)

Soldering temperature curve chart (Reflow solder profile)

SMD-Reflow Soldering Profile for lead free soldering( Acc.to J-STD-020B)



Remark: If not lead free soldering, the recommended solder profile is 230°C and max solder profile is 245°C.

## SURFACE MOUNT LED LAMPS

### 可靠性实验项目 Test items and results of reliability

类别 Type	测试项目 Test item	源科参照标准 YK. Standard	测试条件 Test Conditions	备注 Note	不良数量 Number of Damaged
Environmental Sequence	高低温循环 Temperature Cycle	JIS C 7021 (1977)A-4	-25° C 30min ↑ ↓ 5min 80° C 30min	100 cycle	0
	热冲击 Thermal Shock	MIL-SLD-107D	-25° C 15min ↑ ↓ 5min 80° C 15min	100 cycle	0
	高湿度热循环 High Humidity Heat Cycle	JIS C 7021 (1977)A-5	30° C <=> 65° C 90%RH 24hrs/1cycle	10 cycle	0
	高温存储 High Temperature Storage	JIS C 7021 (1977)B-10	T <sub>a</sub> =80° C	1000hrs	0
	高温高湿存储 Humidity Heat Storage	JIS C 7021 (1977)B-11	T <sub>a</sub> =60° C RH=90%	1000hrs	0
	低温存储 Low Temperature Storage	JIS C 7021 (1977)B-12	T <sub>a</sub> =-30° C	1000hrs	0
Operation Sequence	常温寿命测试 Life Test	JIS C 7035 (1985)	T <sub>a</sub> =25° C I <sub>F</sub> =60mA	1000hrs	0
	高温高湿寿命测试 High Humidity Heat Life Test	①	60° C RH=90% I <sub>F</sub> =60mA	500hrs	0
	低温寿命测试 Low Temperature Life Test	①	T <sub>a</sub> =-25° C I <sub>F</sub> =60mA	1000hrs	0

①请参考可靠性测试标准规范。

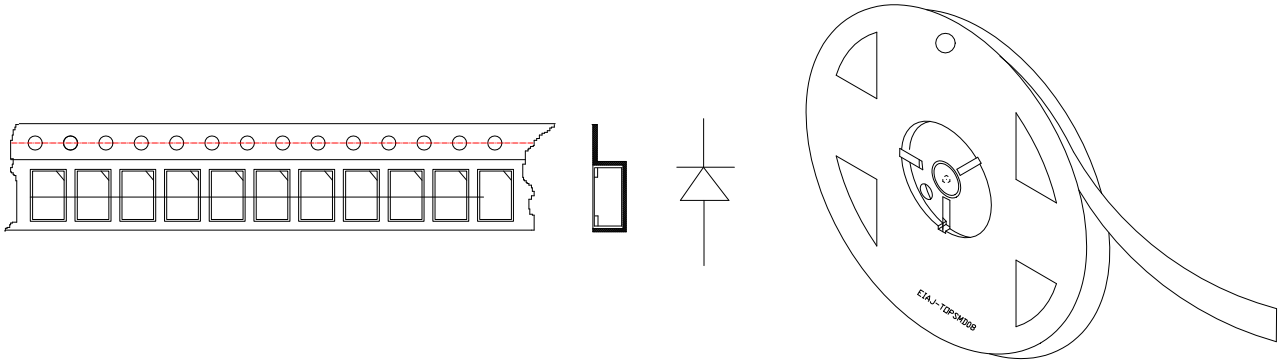
Refer to reliability test standard specification for in this line.

# SURFACE MOUNT LED LAMPS

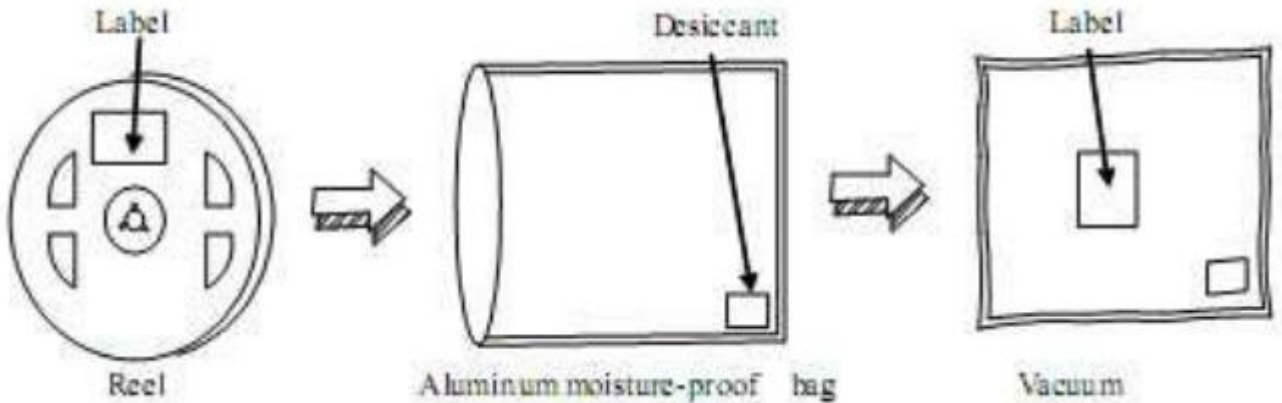
产品型号 (Product Type): YKDR2835

## 编带和包装 Tape and Packaging

### 1、Tape leader and reel



### 2、Packing



### 3、Storage:

1)、如暂不使用, 请不要打开防潮袋。

Don't open the moisture proof bag before the products are ready to use.

2)、打开包装前, LED 灯需放置温度在 30°C 以下、湿度低于 60RH 的环境内。

Before opening the packing, the LED should be kept at 30°C or less and 60RH or less

3)、打开防潮袋后, 应立即使用 LED, 不能将 LED 暴露在空气中超过一个星期。

After opening the moisture proof bag, should use the LED immediately, do not expose the led in air for a week.

4)、如果 led 超过存储时间或受潮, 应在以下条件中除湿 24 小时: 60+/-5°C

If the LEDs exceed the storage time or the moisture absorbability material has faded away, Backing treatment should be performed using the following conditions: 60+/-5°C for 24 hours.





深圳市源科光电有限公司  
SHEN ZHEN YUAN KE GUANG DIAN CO., LTD

---